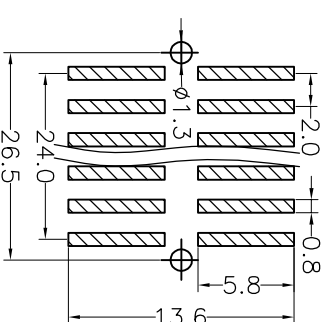
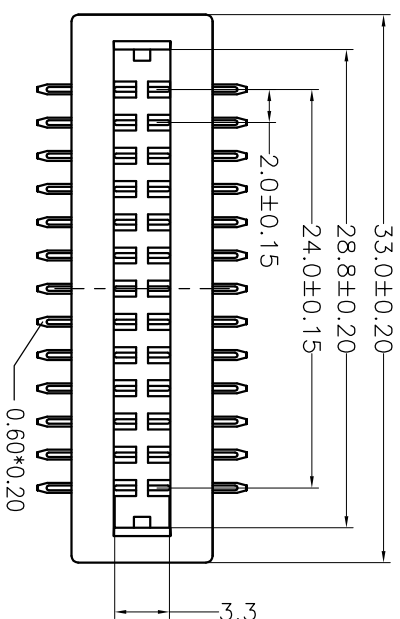


HSE ROHS

SPECIFICATIONS

Rated Current:1.5AMP
 Contact Resistance:20mΩ Max
 Withstand Voltage:500V AC/DC
 Insulation Resistance:500MΩ Min
 Operation Temperature:-40°c to +105°c

Contact Material:Phosphor bronze
 Contact Plating:Au or Sn Over Ni
 Insulator Material:Polyester(Ul94V-0)
 Standard: PA9T
 Max.Processing Temp: 230°C for 30-60 seconds
 260°C for 10 seconds



Recommended P.C.B Layout(Top Side)
 (PCB BOARD TOLERANCE±0.05)

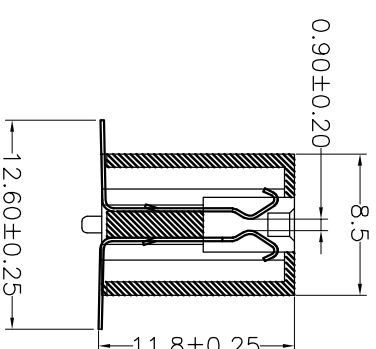
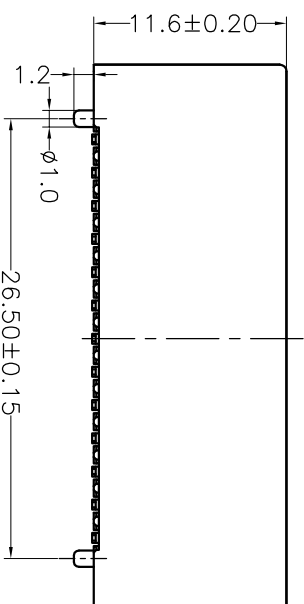
Ordering Information

4400- 2 13 M G1 F E B W 01

No.of Pins
2x13P

Contact Plating

- G0:Gold Flash
- G1:1U" Gold
- G2:2U" Gold
- G3:3U" Gold
- G4:5U" Gold
- G5:10U" Gold



OPERATION		DRAW		SCALE		FIT	
X.X	±0.30	JinChenglin	17.11.24	UNIT	mm	SHEET	1/1
X.XX	±0.20	CHECK		SIZE	A4	PROJ.	
X.XXX	±0.10						
Angle	±3°	APPROVE					
DIM	TOL						

REV	DATE	MODIFICATION DESCRIPTION	CHANGE
A0	2017.11.24	NEW DRAWING	

PART NO.	4400-213MG1FEBW01
TITLE:	2.0金手指连接器 2X13P 母座 SMT 带柱

JIN 深圳市锦凌电子有限公司
 SHENZHEN JINLING ELECTRONIC CO.,LTD
 Tel: 86-755-2997-5806/5802 Fax: 86-755-2997-5992